

THIS DRAWING AND THE DATA DISCLOSED HEREIN OR HEREWITH IS NOT TO BE REPRODUCED USED OR DISCLOSED IN WHOLE OR IN PART TO ANYONE WITHOUT THE PERMISSION OF JESS-LINK PRODUCTS CO.,LTD.(JPC)

CUSTOMER DRAWING

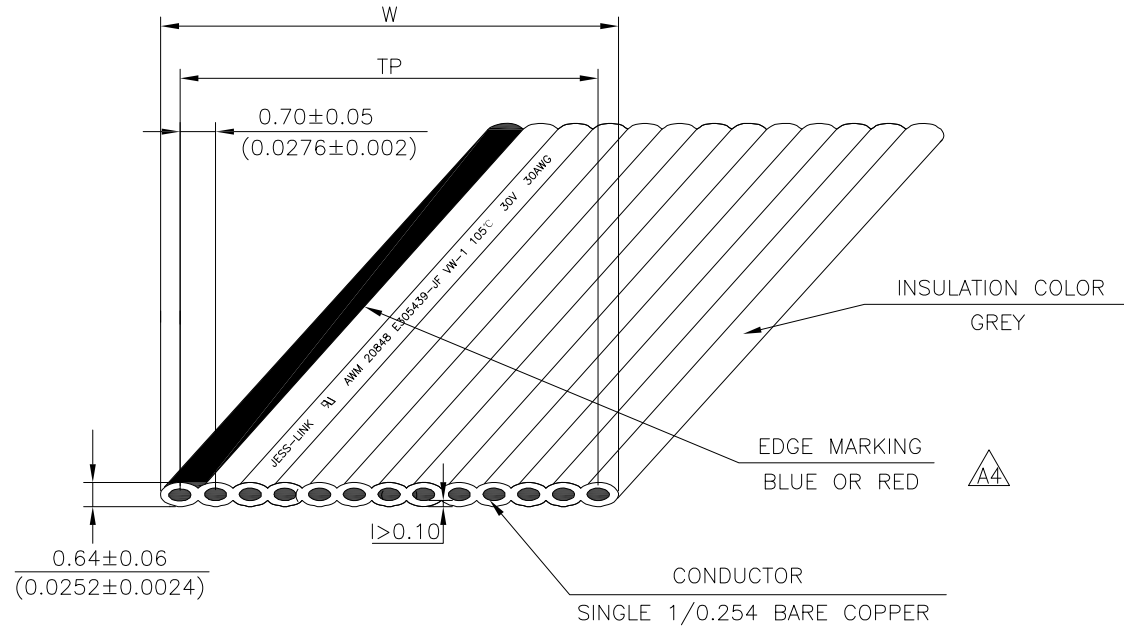
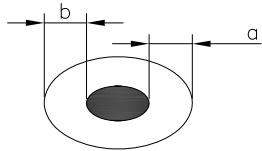
DRWC-001549

REV.	ECN NO.	DESCRIPTION	MDF'D	APP'D	DATE
A1	---	INITIAL DESIGN	Kevin	Fefer	04/27/2022
A3	---	Added 8Pin And 10Pin Spec.	Kevin	Fefer	07/28/2022
A4	---	Added 9Pin,12Pin,15Pin Spec.	Chunxia	Andrew	04/29/2024

NUMBER OF CORES	WIDTH(IN)	TP(IN)	S(mm)	l(mm)	ERROR(mm)	P/N:	PD./FILE NO.
8	5.6(0.220±0.006)	4.9(0.193±0.006)	<0.05	0.10	±0.15	PHEB2T081000-1(塗藍邊)	2373802-4
9	6.3(0.248±0.006)	5.6(0.220±0.006)	<0.05	0.10	±0.15	PHEB2T091000-1(塗藍邊)	2373796-1
10	7.0(0.276±0.006)	6.3(0.248±0.006)	<0.05	0.10	±0.15	PHEB2T101000-1(塗紅邊)	2373802-2
12	8.4(0.330±0.006)	7.7(0.303±0.006)	<0.05	0.10	±0.15	PHEB2T121000-1(塗紅邊)	2373802-1
13	9.1(0.358±0.006)	8.4(0.330±0.006)	<0.05	0.10	±0.15	PHEB2T131000-1(塗藍邊)	2403137-3
14	9.8(0.386±0.006)	9.1(0.358±0.006)	<0.05	0.10	±0.15	PHEB2T141000-1(塗紅邊)	2403137-4
15	10.5(0.413±0.006)	9.8(0.386±0.006)	<0.05	0.10	±0.15	PHEB2T151000-1(塗紅邊)	



$$S(\text{Eccentricity}) = |a-b|/2 < 0.05$$



PRINTING:

JESS-LINK AWM 20848 E305439-JF VW-1 105°C 30V 30AWG

ITEM	SUPL	SUPL PN	DESCRIPTION	Q'TY
1				
2				
3				
4				
5				

RoHS COMPLIANT

HALOGEN FREE

Unit : mm  
 GENERAL TOLERANCES: (UNLESS SPECIFIED)  
 0 = ±1(0.039)  
 0.0 = ±.5(0.012)  
 0.00 = ±.3(0.012)  
 0.000 = ±.15(0.006)  
 0° = ± 2°  
 0.0° = ± 1°

PROJECTION  
  
 D.R. 04/29/2024  
 Chunxia  
 CH.K  
 APV.D

**JPC connectivity**

TITLE HAF3 series 30AWG P=0.7

SCALE NA SIZE A4 PART NO. PHEB2T141000-1

PD./FILE NO. XXXXXXXXX  
 X-XXXXX  
 REV. A4  
 SHEET 1 OF 2

THIS DRAWING AND THE DATA DISCLOSED HEREIN OR HEREWITH IS NOT TO BE REPRODUCED USED OR DISCLOSED IN WHOLE OR IN PART TO ANYONE WITHOUT THE PERMISSION OF JESS-LINK PRODUCTS CO.,LTD.(JPC)

CUSTOMER DRAWING  
DRWC-001549

REV.	ECN NO.	DESCRIPTION	MDF'D	APP'D	DATE
A1	---	INITIAL DESIGN	Kevin	Pefer	04/27/2022
A3	---	Added 8Pin And 10Pin Spec.	Kevin	Pefer	07/28/2022
A4	---	Added 9Pin,12Pin,15Pin Spec.	Chunxia	Andrew	04/29/2024

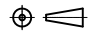
Couductor AWG	Material of Insulation	Insulation of Thickness	Spark Test	Dielectric Strength (1minute)	Couductor 20°C Resistance	Insulation Resistance
Single 30AWG BARE COPPER	TPE	Min 4mils	AC 1500V	AC 500V	Max 361Ω/KM	Min 250MΩ/10FT

SPECIFICATIONS:  
 UL GRADE:  
 UL Style.....20848  
 Rate Temperature.....-20°C To 105°C  
 Rate Voltage.....30V  
 Flame Test.....VW-1  
 ENVIRONMENTAL.....Halogen free

INSULATION:  
 Elongation:100%Min  
 Tensile strength:1200PSI Min  
 Tensile strength before aging:>0.84kg/mm<sup>2</sup>  
 Tensile strength after aging:>75%  
 Elongation before aging:>200%  
 Elongation after aging:>75%

A  
B  
C  
D  
E  
F

A  
B  
C  
D  
E  
F

ITEM	SUPL	SUPL PN	DESCRIPTION	Q'TY	<b>RoHS COMPLIANT</b> <b>HALOGEN FREE</b>	Unit : mm GENERAL TOLERANCES: (UNLESS SPECIFIED) 0 =±1(0.039) 0.0 =±.5(0.02) 0.00 =±.3(0.012) 0.000=±.15(0.006) 0° =± 2' 0.0° =± 1'	PROJECTION  D.R. 04/29/2024 Chunxia CH.K APV.D	<b>JPC connectivity</b> TITLE HAF3 series 30AWG P=0.7 SCALE NA SIZE A4 PART NO. PHEB2T141000-1	PD./FILE NO. XXXXXXXXX X-XXXXX REV. A4 SHEET 2 OF 2
------	------	---------	-------------	------	--	--	---	--	--